

Ref. : BS 1160 pas

Rev. : Initial

Date : 24/12/2014

Page : 1/1

# BALL VALVE WITH HANDLE

## BS 1160



### APPLICATION

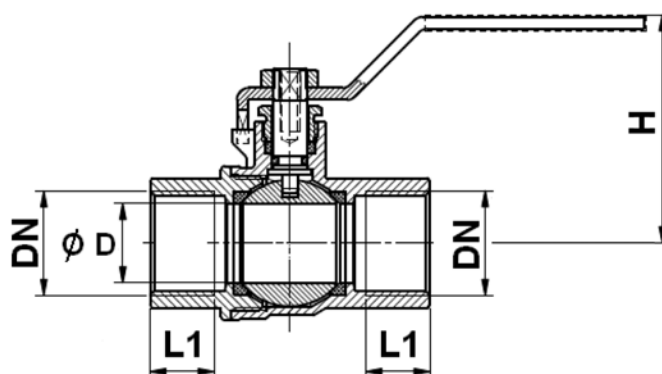
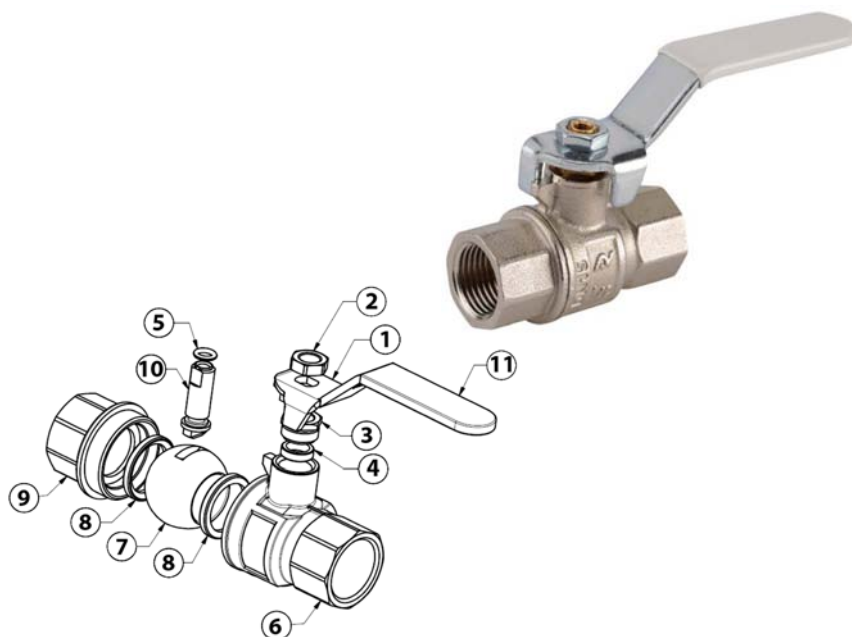
General use: Oxygen, argon, azote.  
(Do not use with acetylene)

### GENERAL CHARACTERISTICS

Dry cleaned for oxygen.  
Long threaded ends.  
Full bore.  
Anti blow-out stem.  
Solid ball.  
PTFE packing + EPDM stem O ring..  
White flat steel handle.  
Female or male cylindrical threaded BSP.

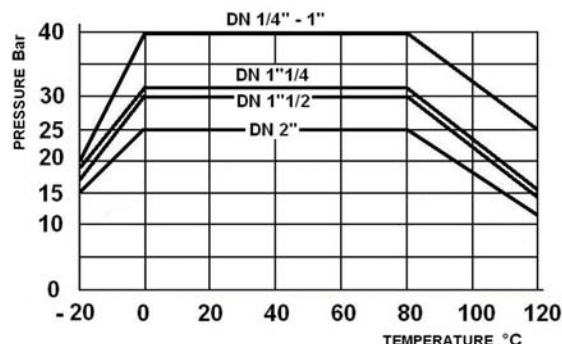
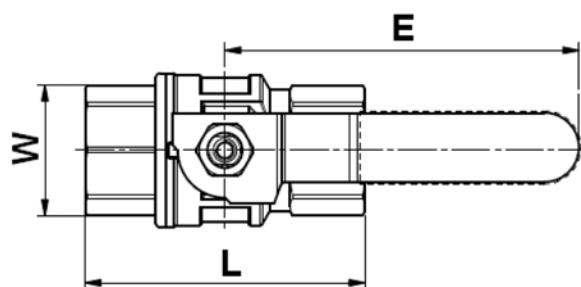
### CONSTRUCTION

11	Handle cover	Plastic
10	Stem	Brass CW 614 N according to EN 12164
9	Bonnet	Nickel brass CW 617 N according to EN 12165
8	Seat	PTFE
7	Ball	Chromed brass CW 617 N according to EN 12165
6	Body	Nickel brass CW 617 N according to EN 12165
5	O ring	EPDM
4	Packing	PTFE
3	Packing nut	Brass CW 614 N according to EN 12164
2	Handle screw	Steel
1	Handle	Galvanized steel
<b>Pos.</b>	<b>Description</b>	<b>Material</b>



### DIMENSIONS

DN	mm	inch	ØD	L	L1	E	H	W	Weight (kg)
8	8	1/4"	10	46,5	10	80	40,5	21	0,141
10	10	3/8"	10	46,5	10	80	40,5	21	0,125
15	15	1/2"	15	62	15	90	53,5	26	0,260
20	20	3/4"	20	71	16	90	57,5	31	0,340
25	25	1"	25	81,5	19	130	66,5	38	0,609
32	32	1 1/4"	32	92	21	130	72	48	0,878
40	40	1 1/2"	40	102	21	150	83,5	55	1,337
50	50	2"	49	126	26	150	90	68	1,990



### SERVICE CONDITIONS

Maximum working temperature : -20°C / + 120°C

Maximum working pressure : 40 bar - (DN 1/4" - DN 1")  
32 bar - DN 1 1/4"  
30 bar - DN 1 1/2"  
25 bar - DN 2"

### STANDARDS

Fabrication according to ISO 9001 : 2008  
DIRECTIVE 2014/68/UE : Products excluded from directive up to DN1" ( Article 3, § 3 )  
Risk category I module A from DN1" 1/4 to DN2"  
Threaded male and female cylindrical BSP ends according to ISO 228-1

TECOFI France - 83, Rue Marcel Mérieux 69960 Corbas - FRANCE  
Tél. +33 (0) 4 72 79 05 79 - Fax +33 (0) 4 78 90 19 19 / +33 (0) 4 72 79 05 70  
Adresses e-mail : sales@tecofi.fr ; tecofi@tecofi.fr / Site web : www.tecofi.fr