

# X-steel ball valves, reduced bore

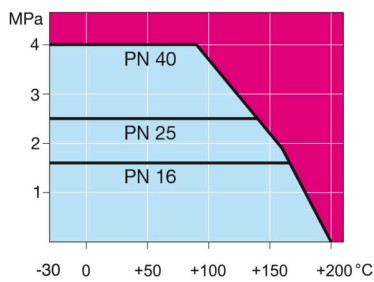
101X series, X-series, female threads / welding EN (DIN), DN 10-50, reduced bore

Body	DN 10-50 Steel, P235GH (1.0345)
Ball	DN 10-50 Stainless steel, X5CrNi18-10 (1.4301)
Ball seal	DN 10-50 PTFE+C
Stem	DN 10-50 Stainless steel, X8CrNiS18-9 (1.4305)
Stem seal	DN 10-50 FPM
Operation	DN 10-50 with composite handle

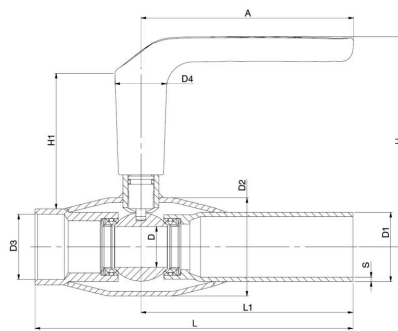


## Operation conditions

-20 ° – +200 °C  
 Below -20 °C contact manufacturer  
 Lowest allowed ambient temperature -40 °C  
 Leakage rate A (EN 12266-1)



## DN 10-50



DN	PN	Product no.	A	D	D1	D2	D3	D4	H	H1	L	L1	S	kg
10	40	101010X	130	10	17.2	33.7	Rp 3/8	32.0	119	86	153	115	2	0.5
15	40	101015X	130	10	21.3	33.7	Rp 1/2	32.0	119	84	158	115	2	0.5
20	40	101020X	130	15	26.9	42.4	Rp 3/4	32.0	119	81	165	115	2.3	0.7
25	40	101025X	130	20	33.7	48.3	Rp 1	32.0	125	84	172	115	2.6	0.8
32	40	101032X	130	25	42.4	60.3	Rp 1 1/4	32.0	129	83	195	130	2.6	1.2
40	40	101040X	130	32	48.3	70.0	Rp 1 1/2	32.0	133	84	205	130	2.6	1.4
50	40	101050X	130	40	60.3	76.1	Rp 2	32.0	140	85	240	150	2.9	2.0