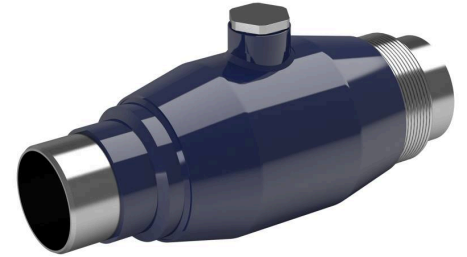


# Branching valves, full bore

126 series, Hot tapping valve, welding / welding, EN (DIN), DN 20-150, full bore

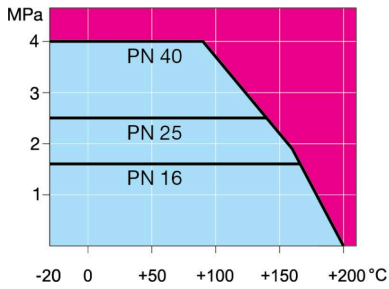
Body	DN 20-150 Steel, P235GH (1.0345)
Ball	DN 20-150 Stainless steel, X5CrNi18-10 (1.4301)
Ball seal	DN 20-150 PTFE+C
Stem	DN 20-150 Stainless steel, X8CrNiS18-9 (1.4305)
Stem seal	DN 20-150 FPM
Operation	DN 20-150 with socket wrench



## Operation conditions

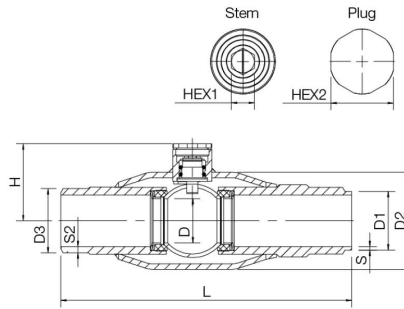
-20 °C – +200 °C  
 Below -20 °C contact manufacturer  
 Lowest allowed ambient temperature -40 °C

Leakage rate A (EN 12266-1)

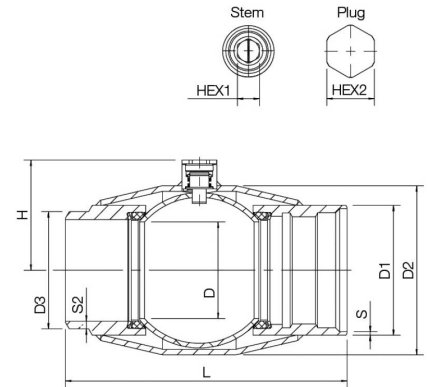


Not for steam

DN 20-125



DN 150



DN	PN	Product no.	D	D1	D2	D3	H	HEX1	HEX2	L	S	S2	kg
20	40	126020	20	26.9	48.3	33.7	40	9	22	170	2.3	5.9	1.0
25	40	126025	25	33.7	60.3	36.5	45	9	22	209	2.6	4.3	1.5
32	40	126032	32	42.2	70.0	46.2	50	9	22	209	2.5	4.5	1.7
40	40	126040	40	48.3	76.1	52.1	56	9	22	228	2.6	4.6	2.3
50	40	126050	50	59.6	101.6	64.5	74	15	32	260	2.5	5	4.5
65	25	126065	65	76.1	121.0	80.3	88	15	32	280	2.9	5	5.5
80	25	126080	80	88.9	146.0	94.5	102	15	36	312	3.2	6	10.1
100	25	126100	100	114.0	177.8	122.1	123	19	41	349	3.5	7.5	18.0
125	25	126125	125	139.7	219.1	151.7	143	19	41	363	5.6	10	29.9
150	25	126150	125	168.3	219.1	151.7	143	19	41	365	4,5	10,4	29.9

\*DN 150 reduced bore