



S.142 bib-cock

3/8" - 1"
with 3/4" outlet and hose



Quality

- Chrome plated brass ball for longer life

Body

- Hot forged sand blasted nickel plated brass body
- Angle pattern ball bib-cock with hose fitting
- Copper alloy brass according to EN 12165 and EN 12164 specifications

Stem

- Maintenance-free, double O-rings (FPM and NBR) at the stem for maximum safety

Sealing

- Pure PTFE seats

Threads

- UNI ISO 228 male inlet thread
- 3/4" threaded outlet complete with hose



Handle

- Enameled red steel handle
- **WARNING:** do not exceed reasonable temperature and/or electrical load
- Handle removable with valve in service

Working pressure & temperature

- 15 bar up to 3/4", 12 bar 1" non-shock cold working pressure
- -20°C to +80°C
- **WARNING:** freezing of the fluid in the installation may severely damage the valve

Options

- Configuration 1/2" or 3/4" with plain outlet (s.140)

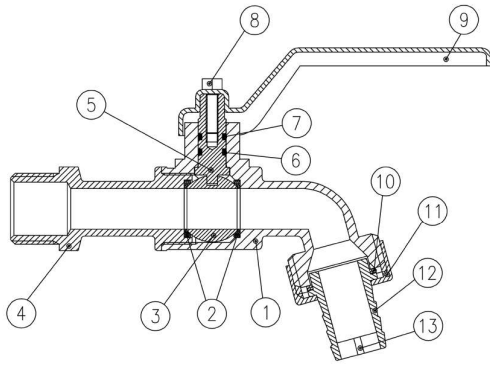
PED directive

- The product meets the requirements of PED Directive 2014/68/UE and according to art.4 par.3, it does not require CE marking

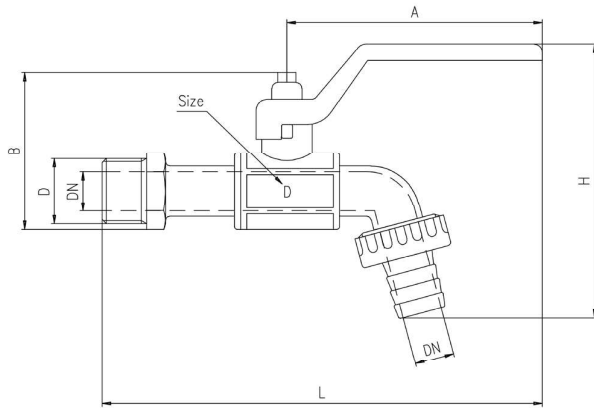
Approved by or in compliance with

- GOST-R (Russia)

NOTE: approvals apply to specific configurations/sizes only.



Part description	Q.ty	Material
1	1	Nickel plated body
2	2	Seat
3	1	Chrome plated ball
4	1	Nickel plated end-cap
5	1	Stem O-Ring design
6	1	O-Ring
7	1	O-Ring
8	1	Zinc plated screw
9	1	Enameled red handle
10	1	Washer
11	1	Nickel plated nut
12	1	Nickel plated hose
13	1	Infuser



Code	142C0P	142D0P	142E0P	142F0P
D (inch)	3/8	1/2	3/4	1
DN(mm)	10	12	12	15
B (mm)	53	53	61	65
L (mm)	135	137	148.5	158
A (mm)	80	80	88.5	88.5
H (mm)	93	93	108.5	126



S.140 bib-cock

1/2" - 3/4"
with plain outlet



Quality

- Chrome plated brass ball for longer life
- Plain outlet

Body

- Hot forged sand blasted nickel plated brass body
- Angle pattern ball bib-cock
- Copper alloy brass according to EN 12165 and EN 12164 specifications

Stem

- Blowout-proof brass stem
- Maintenance-free, double O-rings (FPM and NBR) at the stem for maximum safety

Sealing

- Pure PTFE seats



Threads

- UNI ISO 228 male inlet thread

Handle

- Enameled red steel handle
- **WARNING:** do not exceed reasonable temperature and/or electrical load
- Handle removable with valve in service

Working pressure & temperature

- 15 bar non-shock cold working pressure
- -20°C to +80°C (-4°F to +175°F)
- **WARNING:** freezing of the fluid in the installation may severely damage the valve

Options

- Configuration from 3/8" up to 1" with hose (s.142)

PED directive

- The product meets the requirements of PED Directive 2014/68/UE and according to art.4 par.3, it does not require CE marking

Approved by or in compliance with

- GOST-R (Russia)
- EAC – Declaration of conformity (Russia, Kazakhstan, Belarus)

NOTE: approvals apply to specific configurations/sizes only.