

Steel ball valves, reduced bore

102 series, female threads / female threads, DN 10-50, reduced bore

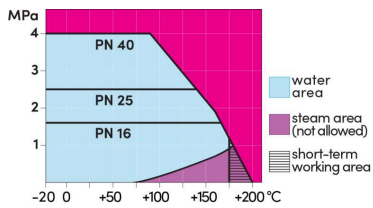
Body	DN 10-50 Steel, P235GH (1.0345)
Ball	DN 10-50 Stainless steel, X5CrNi18-10 (1.4301)
Ball seal	DN 10-50 PTFE+C
Stem	DN 10-50 Stainless steel, X8CrNiS18-9 (1.4305)
Stem seal	DN 10-50 FPM
Operation	DN 10-50 With zinc-plated steel handle



Operation conditions

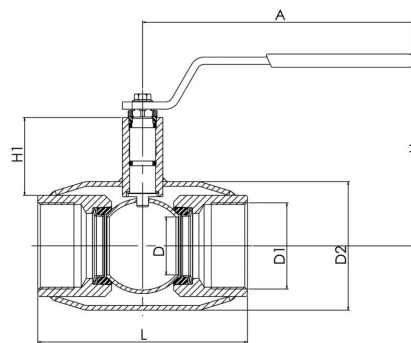
-20 °C – +200 °C
 Below -20 °C contact manufacturer
 Lowest allowed ambient temperature -40 °C

Leakage rate A (EN 12266-1)



Not for steam

DN 10-50



DN	PN	Product no.	A	D	D1	D2	H	H1	L	kg
10	40	102010	145	10	Rp 3/8	33.7	98	22	75	0.5
15	40	102015	145	10	Rp 1/2	33.7	98	22	85	0.5
20	40	102020	145	15	Rp 3/4	42.4	103	23	100	0.6
25	40	102025	145	20	Rp 1	48.3	118	34	115	1.0
32	40	102032	145	25	Rp 1 1/4	60.3	121	33	130	1.2
40	40	102040	188	32	Rp 1 1/2	70.0	120	43	150	1.8
50	40	102050	188	40	Rp 2	88.9	127	44	180	2.6