

# WAFER TYPE SWING CHECK VALVE

## TECHNICAL PASSPORT

### SINGLE PLATE CHECK VALVE - STEEL BODY BETWEEN FLANGES

CB 5440

#### APPLICATION

The swing check valve TECOFI is suitable for non-loaded fluid transfer applications under regular non-pulsating conditions.



**Area of use:** water distribution, water treatment, water supply, air conditioning and heating, irrigation, etc.

#### GENERAL CHARACTERISTICS

**Range:** from DN40 to DN600.

- Design according to ASME B16.34.
- Tightness guaranteed by O-ring attached to the body.
- Mounting between flanges.
- Robust, lightweight and economical construction
- Small face to face dimension
- Easy mounting, requiring no maintenance.
- Low pressure losses.
- Horizontal pipe mounting with lifting ring facing upwards and vertical piping
- Flow direction is indicated on the body by an arrow.



#### STANDARDS

<b>Design</b>	Design according to standard EN 16767. Meets the requirements of European Directive 2014/68/UE: «Equipment under pressure» product excluded (article 1§2.b)
<b>Face to face</b>	Face to face according to standard E 29-377 tab 2 serie FR, except DN 200 : serie FR variant ISO PN 16.
<b>Connection</b>	Mounting between ISO PN10/16 flanges, except DN350 (only PN16)
<b>Tests</b>	Pressure test according to standards EN12266-1, DIN 3230, BS 5154 and ISO 5208: - Body : 24 bar - Seat : 17.5 bar

#### PRODUCT APPROVALS



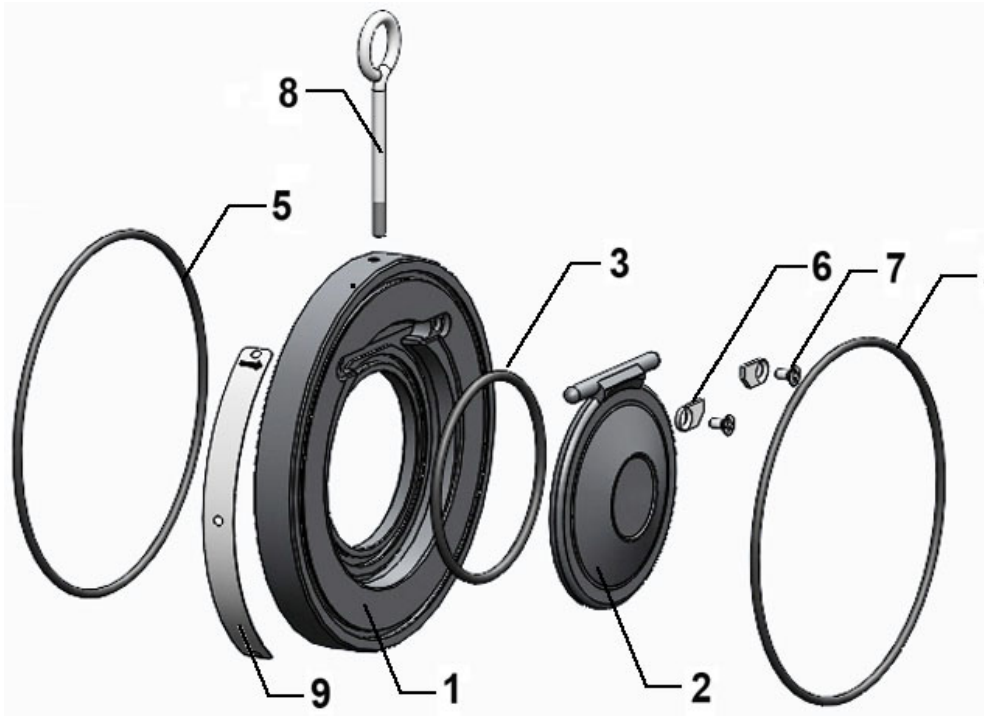
#### Tecofi France

83 rue Marcel Mérieux - 69960 Corbas  
Tél. +33 (0)4 72 79 05 79 - Fax. +33 (0)4 78 90 19 19  
E-mail : sales@tecofi.fr - [www.tecofi.fr](http://www.tecofi.fr)



# WAFER TYPE SWING CHECK VALVE

## CONSTRUCTION



Pos.	Q-ty	Description	Material	Equivalences		
				DIN	ASTM	BS
1	1	Body	Steel S235JR			
2	1	Plate	Steel S235JR			
3	1	Seat	EPDM			
4	1	O-ring	EPDM			
5	1	O-ring	EPDM			
6	2	Retainer	Zinc plated S235JR			
7	2	Screw	Zinc plated S235JR			
8	1	Lifting ring	Zinc plated S235JR			
9	1	Nameplate	Aluminium			

The photographs and technical art works are not contractual. The specifications of the presented products are open to modifications without previous advice

### Tecofi France

83 rue Marcel Mérieux - 69960 Corbas  
Tél. +33 (0)4 72 79 05 79 - Fax. +33 (0)4 78 90 19 19  
E-mail : sales@tecofi.fr - [www.tecofi.fr](http://www.tecofi.fr)



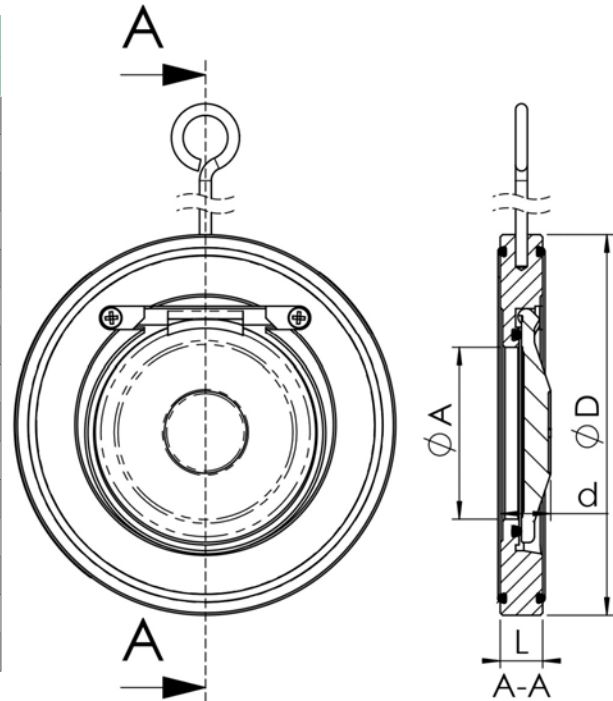
## WAFER TYPE SWING CHECK VALVE

### TECHNICAL PASSPORT

CB 5440

#### DIMENSIONS

DN		L	Ø A	Ø D	d	Weight (kg)
mm	inch					
40	1"1/2	16	22	94	14	0.75
50	2"	16	32	109	15	0.97
65	2"1/2	16	43	129	16	1.34
80	3"	16	56	144	16.5	1.6
100	4"	16	73	164	17	1.99
125	5"	16	95	195	17.5	2.77
150	6"	19	116	221	20.5	4.06
200	8"	22	156	276	25.5	7.11
250	10"	32	200	330	40.5	14.9
300	12"	38	235	380	42.5	21.8
350	14"	38	280	444	49	30.1
400	16"	44	316	491	56.5	43.5
450	18"	50	360	550	65.5	68
500	20"	56	405	610	73.5	93
600	24"	62	486	724	84.5	139

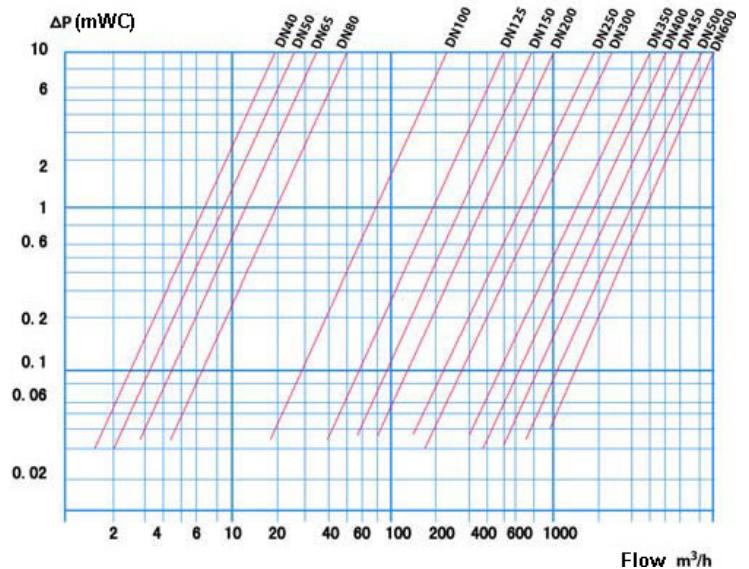


#### WORKING CONDITIONS

Maximum working pressure : 16 bar  
Maximum working temperature : 0°C /+ 135°C



#### Head loss chart



**!** During the mounting it is recommended to maintain a distance of 3 to 5 times the minimal diameter upstream and downstream of an elbow or appliance. This makes it possible to stay out of areas of turbulence likely to increase the risk of wear.  
At the discharge of a pump it is advisable to carry out the assembly in accordance with the **FD CEN/TR 13932** standards

#### Tecofi France

83 rue Marcel Mérieux - 69960 Corbas  
Tél. +33 (0)4 72 79 05 79 - Fax. +33 (0)4 78 90 19 19  
E-mail : sales@tecofi.fr - [www.tecofi.fr](http://www.tecofi.fr)

